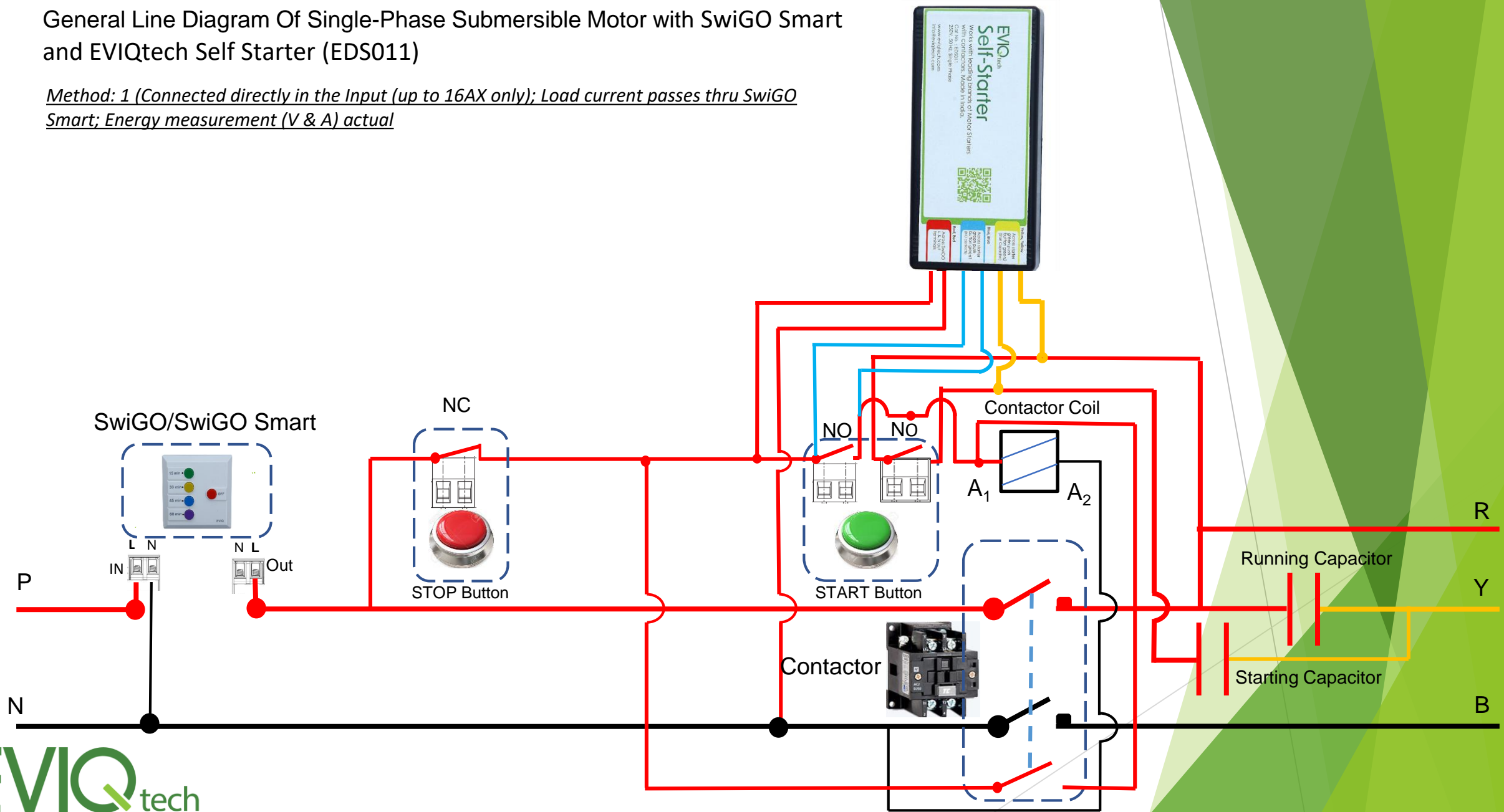


General Line Diagram Of Single-Phase Submersible Motor with SwiGO Smart and EVIQtech Self Starter (EDS011)

Method: 1 (Connected directly in the Input (up to 16AX only); Load current passes thru SwiGO Smart; Energy measurement (V & A) actual



General Line Diagram Of Single-Phase Submersible Motor with SwiGO Smart and EVIQtech Self Starter (EDS011)

Method: 2 (Connected thru "No Volt Coil of the Contactor"; Load current does not pass thru SwiGO Smart; Energy measurement V is actual but Current A is not actual Load current; Hence Current based Smart scene settings in Smart Life App of SwiGO Smart not to be used)

