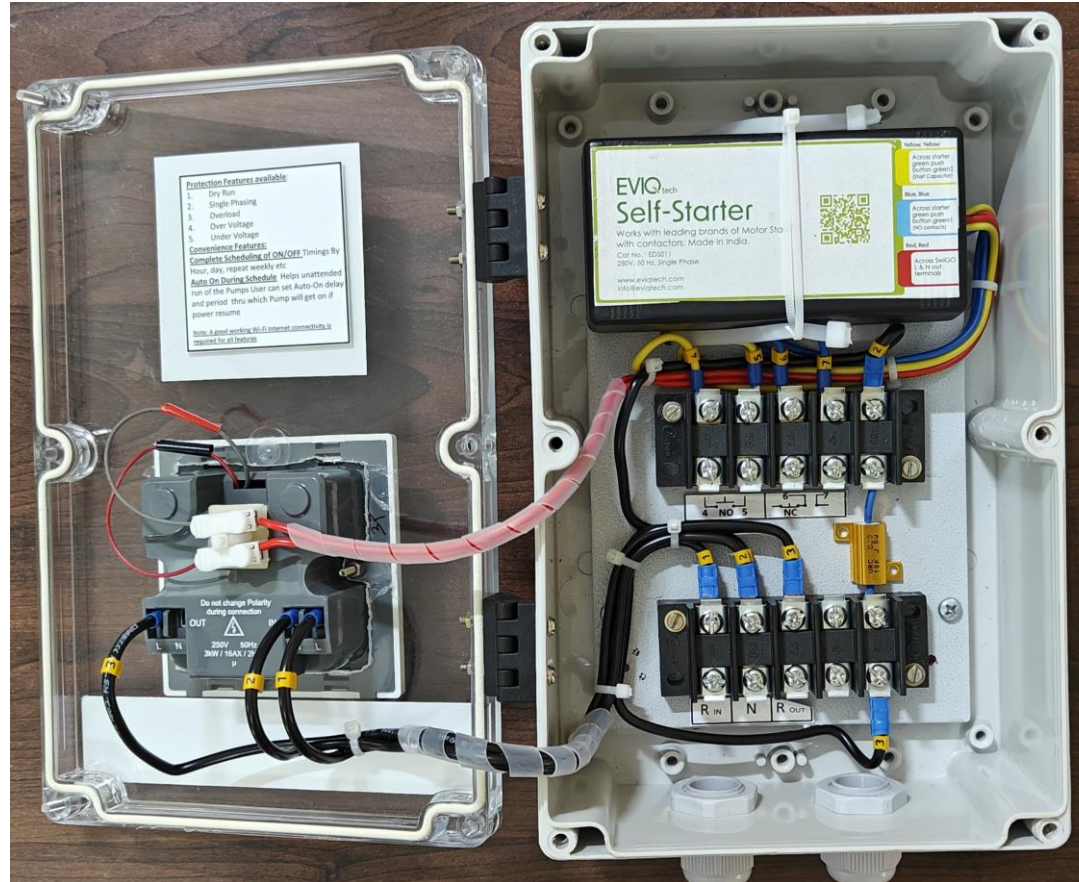
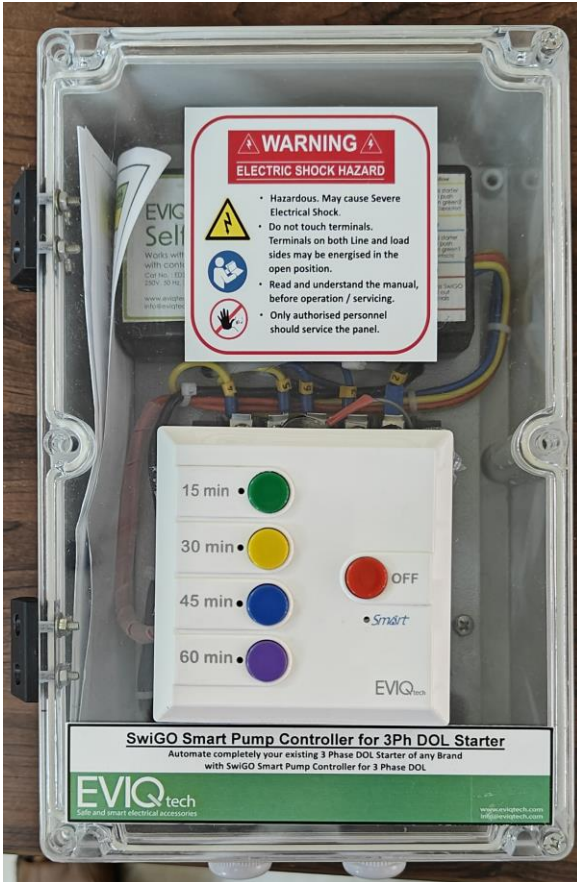


# SwiGO Smart Pump Controller for 3 Phase DOL



**Automate completely existing 3 Phase DOL Starter of any Brand with SwiGO Smart Pump Controller for 3 Phase DOL**

Works up to 3 phase 10HP/7.5kW/13 A Line current, DOL Starters

## **Protection Features available:**

1. Dry Run
2. Single Phasing
3. Overload
4. Over Voltage
5. Under Voltage

## **Convenience Features:**

### **Complete Scheduling of ON/OFF**

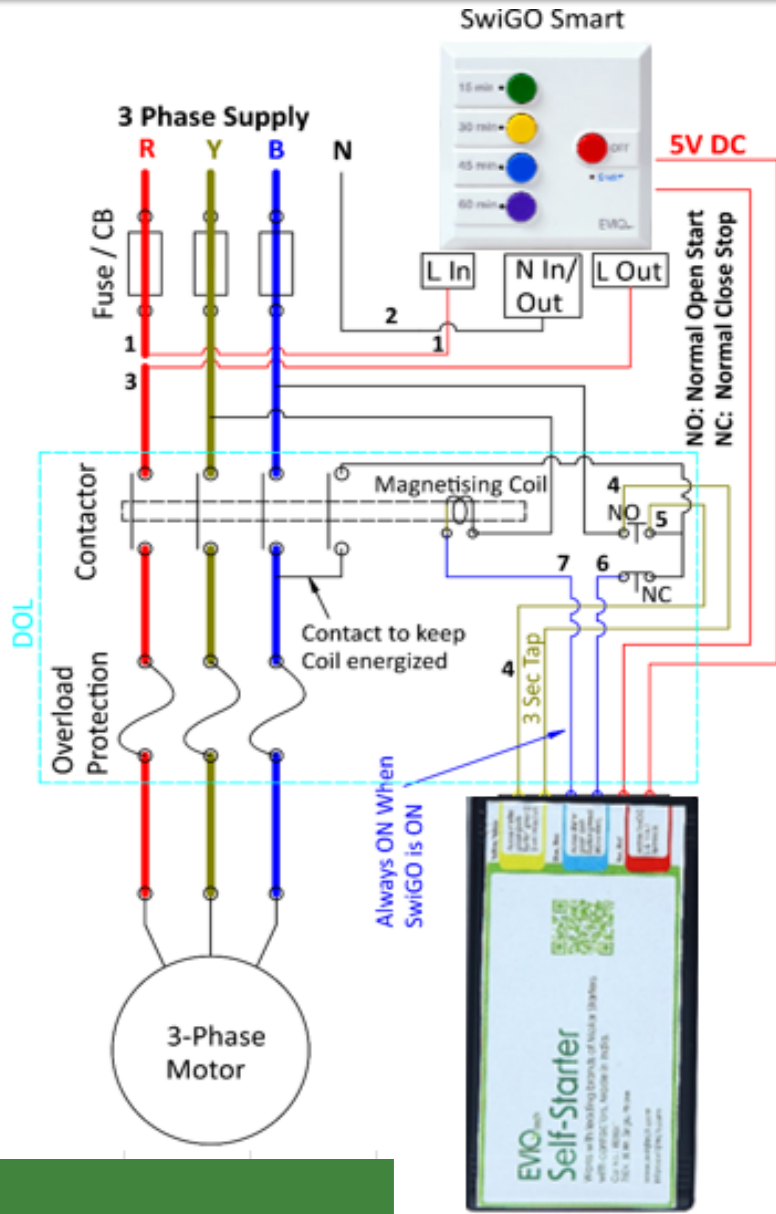
Timings By Hour, day, repeat weekly etc

### **Auto On During Schedule**

Helps unattended run of the Pumps  
User can set Auto-On delay and period thru which Pump will get on if power resumes

Note: A good working Wi-Fi Internet connectivity is required for all features

# SwiGO Smart Pump Controller for 3 Phase DOL



## Automate completely existing 3 Phase DOL Starter of any Brand

### Specs and connections

	<b>Works up to</b>	3 phase 10HP/7.5kW/13 A Line current, DOL Starters
	<b>R phase</b>	Connected to SwiGO L in
	<b>Neutral</b>	Required & to be connected to SwiGO N in
	<b>B Phase</b>	Relay 1 of Self-Starter. in Series with A1 of Contactor's coil. 3 sec Tap
	<b>B Phase</b>	Relay 2 of Self-Starter. In series with STOP push button. Always on
	<b>Y Phase</b>	Connected directly to A2 of Contactor's coil.
	<b>5V DC out from SwiGO</b>	Connect to Self-Starter Power IN

### Automation Features & Protection Settings via SmartLife App

	Complete Scheduling of ON/OFF timings	By Hour, day, repeat weekly etc
<b>Protection features</b>		
	<b>Dry Run</b>	(Detected by current in one phase i.e., R phase as Motor is a balanced load and there is very minimum variance in current across 3 phases)
	<b>Single Phasing by loss of either Y or B phase</b>	SwiGO detects imbalance over current in R phase and stops the load
	<b>Single Phasing by loss of R phase</b>	SwiGO is ON due to return voltage from Motor load which is as low as 170V. This low Voltage is detected and load is shut off by SwiGO
	<b>When only, any one of Y or B phase along with R phase available</b>	SwiGO detects no current and shuts itself within 30s to 60s
	<b>Auto On During Schedule time</b>	Can be set to Switch ON, say every 5 min, if it's OFF due to previous tripping. If all three phases are available, then Motor/load will run. If still only two phase are available "No current" will be detected and SwiGO will shut off

# SwiGO Smart Pump Controller for 3 Phase DOL

**Automate completely existing 3 Phase DOL Starter of any Brand with SwiGO Smart Smart Life App Settings**

